

**UHL**

# Universal 700 Bar Foot Pump



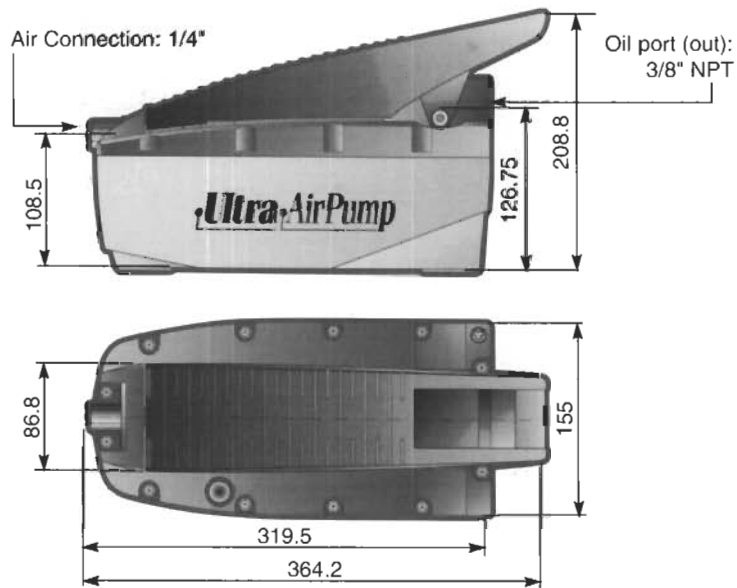
**ognibene®**

**Air Oil Intensifier**

# 700 bar foot pump

## Ordering Code : UPF702

- Pressure Ranges  
250 bar, 500 bar, 700 bar.
- Tank Capacity  
2.5 Ltr. (Larger Version Available)
- Connects To Dry Air Supply Of  
2.8 to 10 bar.
- Low Noise (75dba).
- Weight 6.3 kg.
- Heavy Duty Construction.
- Control Options Include :
  - UPF - Foot Pedal (Standard)
  - UPC - Cetop Valve
  - UPM - Manual
  - UPL - Pilot



Flow / Pressure

