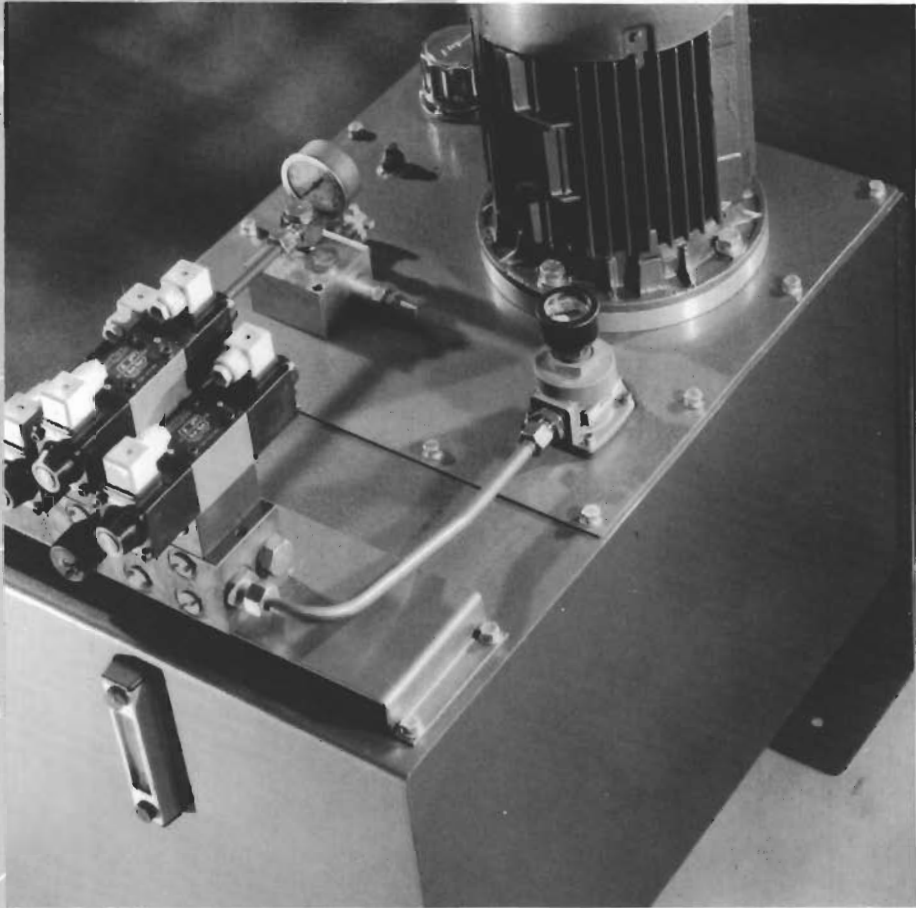




Universal Power Pack PPM



A range of well designed power packs built to a compact

modular concept.

Flows to 82 lpm.

Pressures to 225 bar.

Competitive prices.

All components in stock.

Delivery normally 48 hours.

All models supplied complete with:

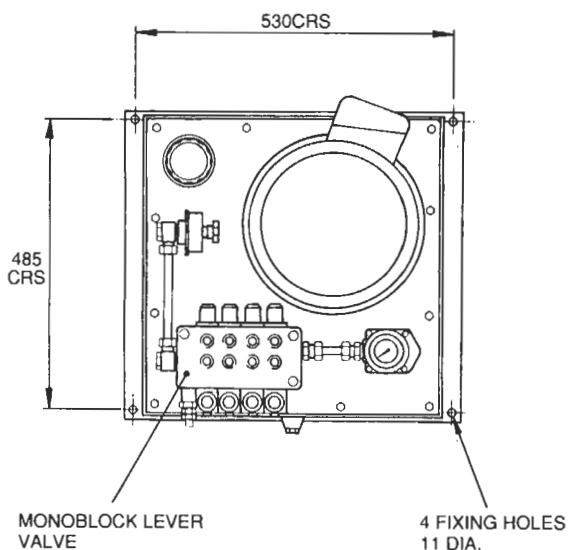
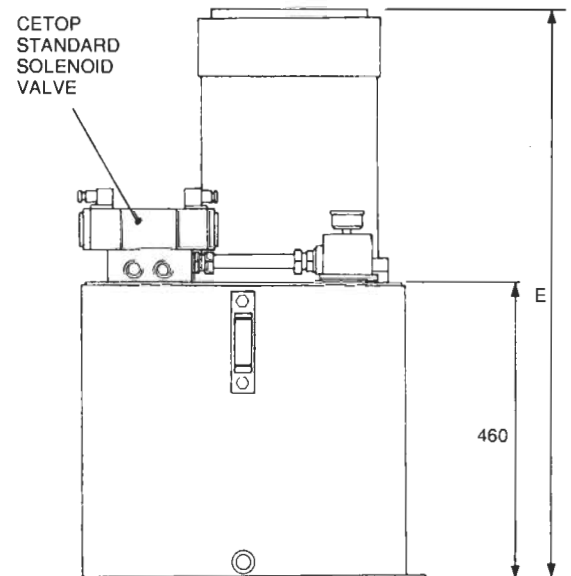
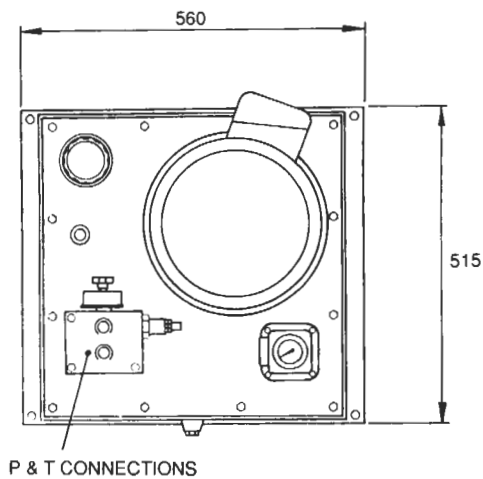
- Electric Motor – Metric Frame TEFC
- Robust Gear Pump
- Pressure Relief Valve
- Pressure Gauge and Isolator Valve
- Suction Filter
- Large Capacity Filler/Air Breather Cap
- Fluid Level Gauge

Options include:

- Return Line Filter
- Directional Control Valve – Manual – Solenoid – Pilot Operated
- Stackable Circuit Valves (CETOP 3 & 5)
- Additional Directional Controls & Manifolds
- Pressure Filter
- Level/Temperature Switch

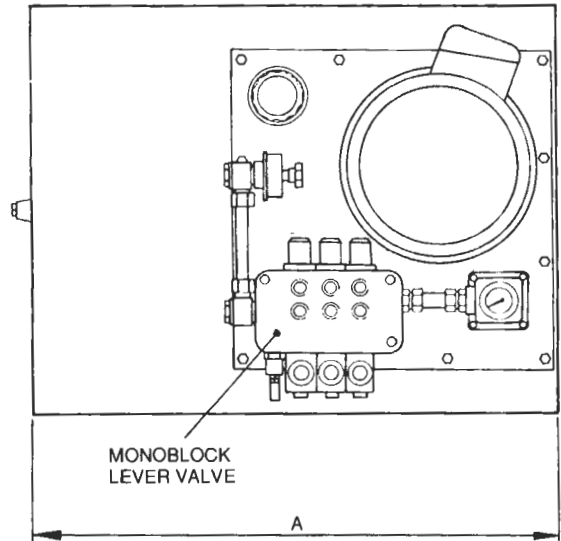
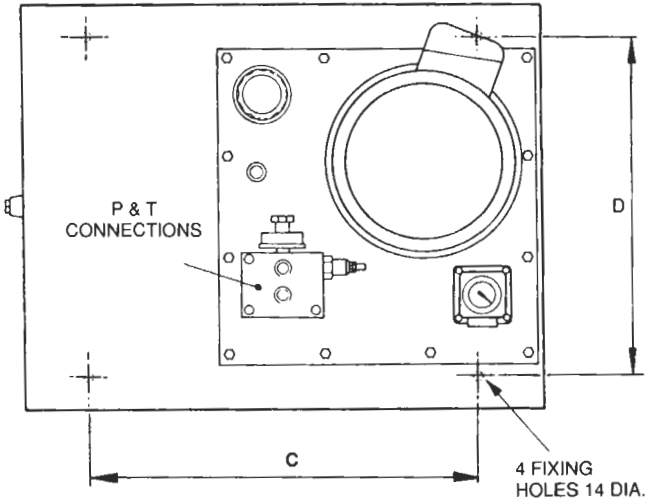


80 LITRE RESERVOIR – INSTALLATION DETAILS

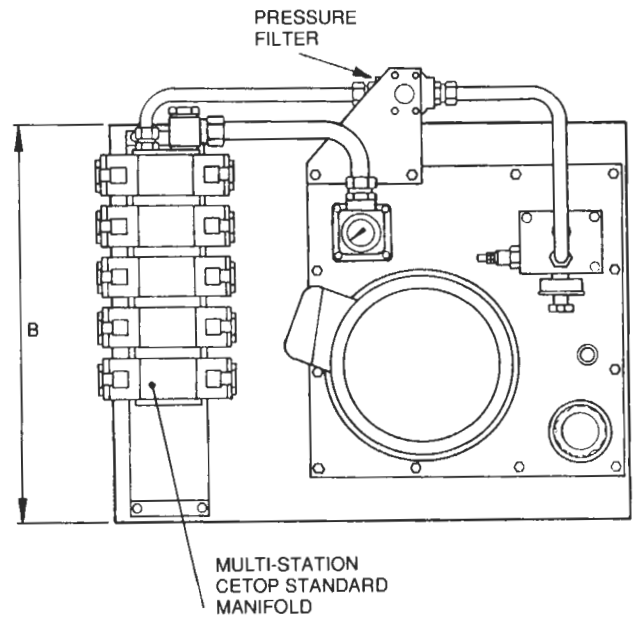


power pack PPM

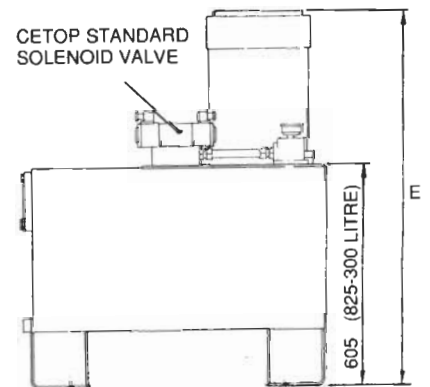
150 - 300 LITRE RESERVOIR - INSTALLATION DETAILS



DIM	Reservoir Capacity		
	150 litres	200 litres	300 litres
A	755	805	805
B	500	625	625
C	550	600	600
D	400	525	525



Motor Power	E mm		
	80 litres	150 litres	300 litres
$\frac{2.2}{3}$ kW	800	950	1170
4 kW	845	995	1215
5.5 kW	880	1030	1250
$\frac{7.5}{11}$ kW	920	1070	1290



power pack PPM

Flow LPM	Max Press BAR	Motor Size kW	Size Ref.
5.5	200	2.2	51
7	160	2.2	52
7	215	3.0	53
9	125	2.2	54
9	165	3.0	55
9	215	4.0	56
11	100	2.2	57
11	135	3.0	58
11	170	4.0	59
13	80	2.2	60
13	105	3.0	61
7	250	4.0	62
15	70	2.2	63
15	95	3.0	64
15	125	4.0	65
15	175	5.5	66
20	55	2.2	67
20	75	3.0	68
20	100	4.0	69
20	135	5.5	70
20	185	7.5	71
23	65	3.0	72
23	85	4.0	73
23	115	5.5	74
23	160	7.5	75
23	235	11.0 *	76
28	65	4.0	77
28	90	5.5	78
28	125	7.5	79
35	75	5.5	80
35	100	7.5	81
40	135	11.0 *	82
45	60	5.5	83
45	80	7.5	84
45	115	11.0 *	85
53	50	5.5	86
53	70	7.5	87
60	60	7.5	88
57	90	11.0 *	89
73	70	11.0 *	90
5.5	250	3.0	91
9	250	5.5	92
11	225	5.5	93
11	250	7.5	94
15	235	7.5	95
18	250	11.0 *	96
31	170	11.0 *	97

*3000 RPM

PPM - 51 - X - X - PT3 - 80

SIZE REFERENCE

See Table

RETURN LINE FILTER

Size Ref: 51-79

F8 — Filter With Visual Indicator

Size Ref: 80-90

F20 — Filter With Visual Indicator

The above filters are necessary with Manual Valve

X — No return line filter

DIRECTIONAL CONTROL VALVE

Size Ref: 51-79

3S — Single Solenoid

3D — Double Solenoid

D5/1 — One Bank Manual

D5/2 — Two Bank Manual

D5/3 — Three Bank Manual

D5/4 — Four Bank Manual

Size Ref: 80-90

5S — Single Solenoid

5D — Double Solenoid

D11/1 — One Bank Manual

D11/2 — Two Bank Manual

D11/3 — Three Bank Manual

X — Not required

RELIEF/PORTING BLOCK

Size Ref: 51-79

PT3 — P & T Connection

C3 — CETOP 3 Mounting Face

Size Ref: 80-90

PT5 — P & T connection

C5 — CETOP 5 Mounting Face

X — No Porting Block (Manual Valve)

RESERVOIR

80 Litre

150 Litre

200 Litre

300 Litre

