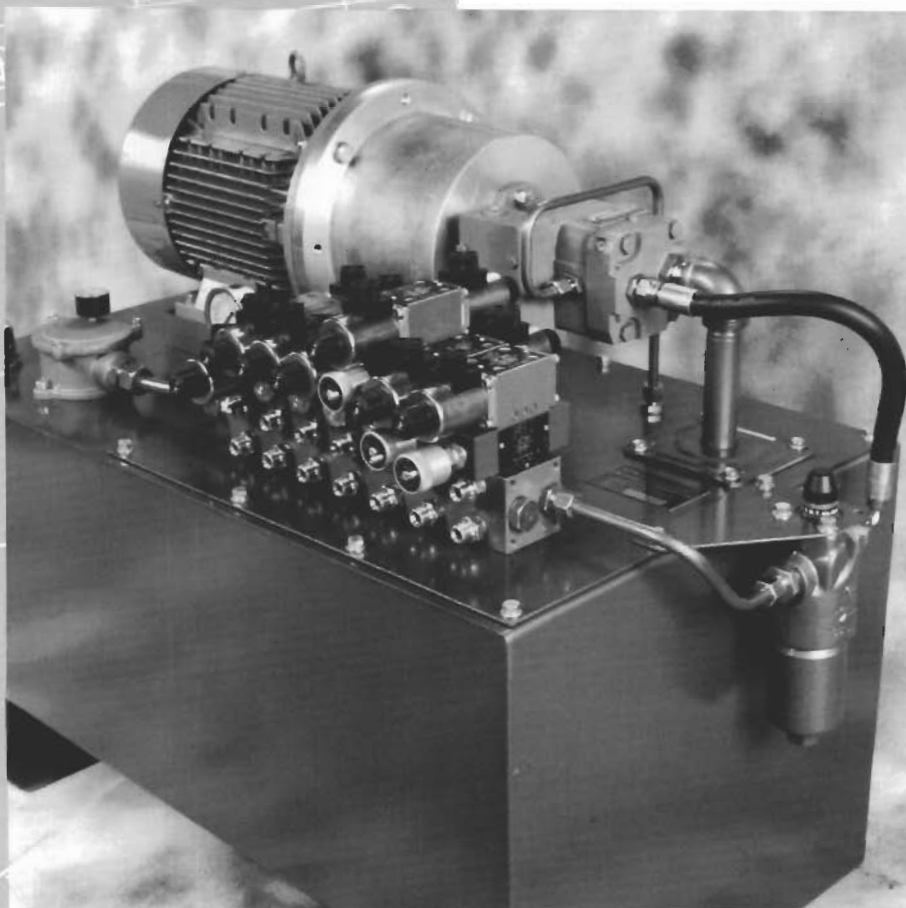


UHL

Universal Power Pack PPV



A range of well designed power packs built to a compact modular concept.

Flows to 100 lpm.

Pressure to 350 bar.

Competitive prices.

All components in stock.

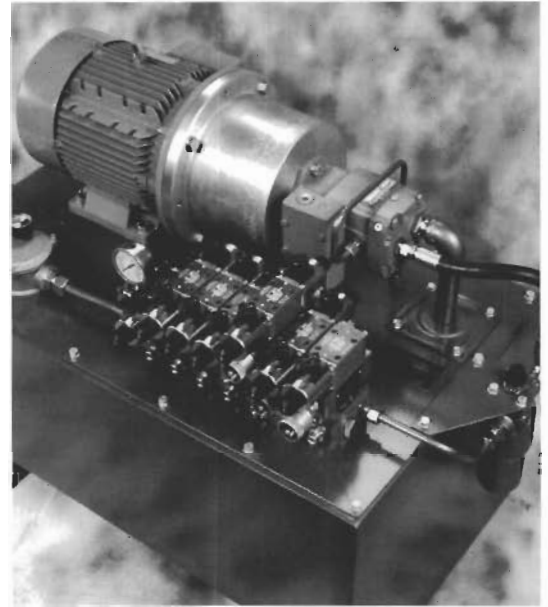
power pack PPV

All Models Supplied Complete With:

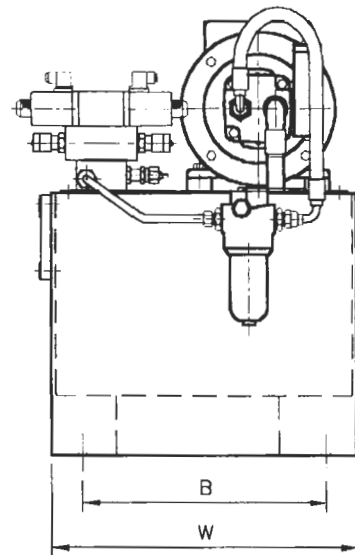
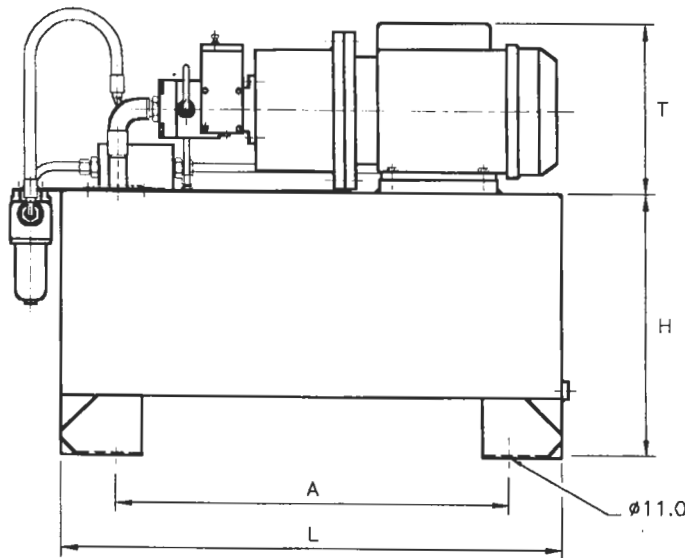
- Electric Motor - Metric TEFC
- Robust Variable Displacement Pressure Compensated Pump
- Pressure Relief Valve
- Pressure Gauge and Isolator Valve
- Suction Filter
- Large Capacity Filler/Air Breather Cap
- Return Line Filter C/W Visual Blockage Indicator

Options Include:

- Pressure Filter C/W Visual Blockage Indicator
- Directional Control Valve - Manual
Solenoid - Pilot Operated
- Stackable Circuit Valves (CETOP 3,5,&7)
- Additional Directional Controls & Manifold
- Level/Temperature Switch
- Load Sensing Pump
- Electrical Filter Blockage Indicator



Typical Installation Layout



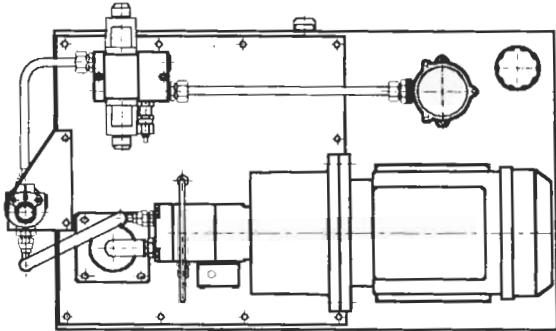
Motor Height (T) Dim.	
3 kW	236
4 kW	260
5.5/7.5 kW	300
11/15 kW	385
18.5/22 kW	421
30 kW	525
37/45 kW	565

Reservoir Capacity				
DIM	80 Litres	150 Litres	250 Litres	400 Litres
L	825	955	1005	1205
H	450	500	630	680
W	490	570	700	800
A	620	750	800	1000
B	390	470	600	700

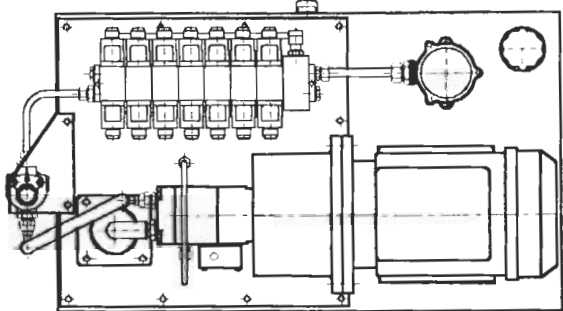


power pack PPV

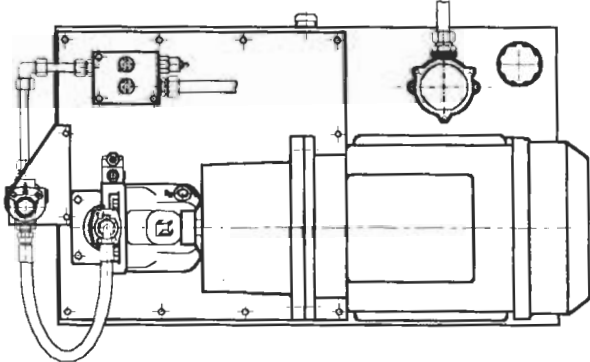
Single CETOP 5 with Relief Valve



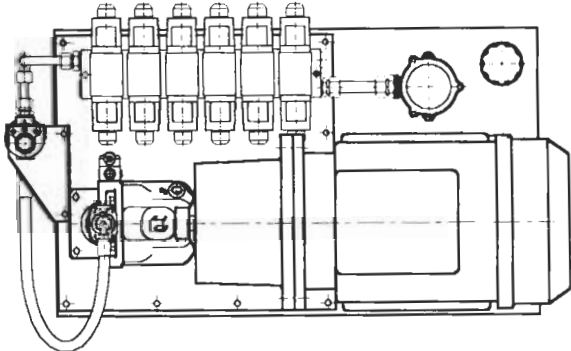
Multiple CETOP 3 with Relief Valve



PT5 Relief Valve



Multiple CETOP 5 with Relief Valve



power pack PPV

Flow Max LPM	Max Press BAR	Motor Size kW	Reservoir Ltr. (Recommended)	Size Ref.
14	85	3	80	01
14	120	4	80	02
14	180	5.5	80	03
14	250	7.5	80	04
14	350	11	150	05
19	90	4	80	06
19	120	5.5	80	07
19	170	7.5	80	08
19	250	11	150	09
30	60	4	150	10
30	85	5.5	150	11
30	120	7.5	150	12
30	180	11	150	13
30	210	15	150	14
40	65	5.5	150	15
40	90	7.5	150	16
40	150	11	150	17
40	200	15	150	18
40	250	18.5	250	19
50	50	5.5	250	20
50	75	7.5	250	21
50	120	11	250	22
50	160	15	250	23
50	195	18.5	250	24
50	240	22	250	25
63	55	7.5	250	26
63	85	11	250	27
63	120	15	250	28
63	150	18.5	250	29
63	190	22	250	30
63	250	30	250	31
90	55	11	400	32
90	80	15	400	33
90	105	18.5	400	34
90	125	22	400	35
90	170	30	400	36
90	215	37	400	37
100	50	11	400	38
100	70	15	400	39
100	90	18.5	400	40
100	115	22	400	41
100	155	30	400	42
100	190	37	400	43
100	240	45	400	44

PPV - 06 - PF1 - 3D - C3 - 80

SIZE REFERENCE

See Table

PRESSURE FILTER

Size Ref : 01 - 31

PF1

Size Ref : 32 - 44

PF2

Filter with visual indicator

X — No pressure filter

DIRECTIONAL CONTROL VALVE

Size Ref : 01 - 08

3S — Single Solenoid Valve

3D — Double Solenoid Valve

Size Ref : 09 - 31

5S — Single Solenoid Valve

5D — Double Solenoid Valve

Size Ref : 32 - 44

7S — Single Solenoid Valve

7D — Double Solenoid Valve

X — Not Required

RELIEF / PORTING BLOCK

Size Ref : 01 - 08

PT3 — P & T Connection

C3 — Cetop 3 Mounting Face

Size Ref : 09 - 31

PT5 — P & T Connection

C5 — Cetop 5 Mounting Face

Size Ref : 32 - 44

PT7 — P & T Connection

C7 — Cetop 7 Mounting Face

X — Not required

RESERVOIR

80 Litre

150 Litre

250 Litre

400 Litre

