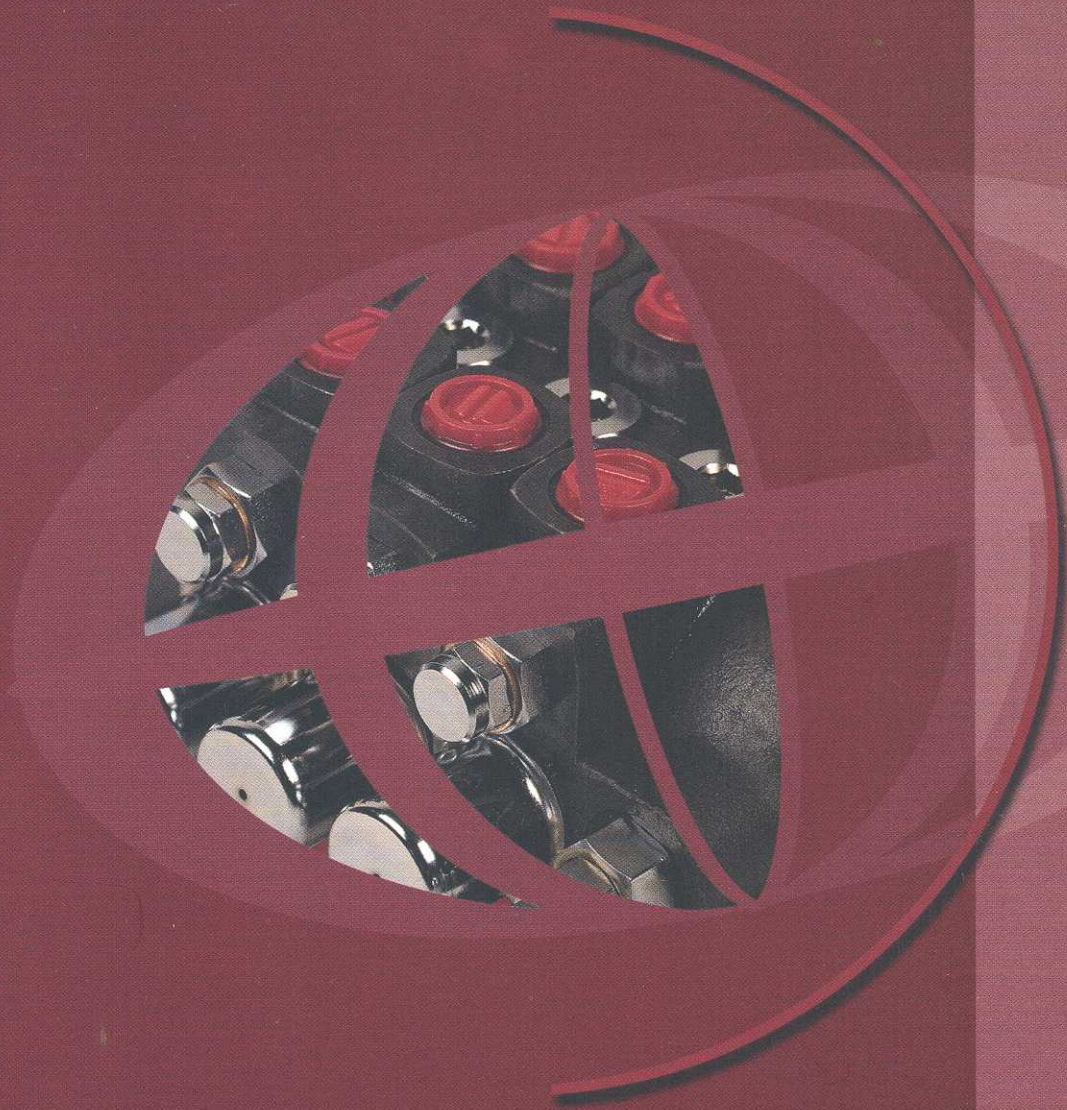


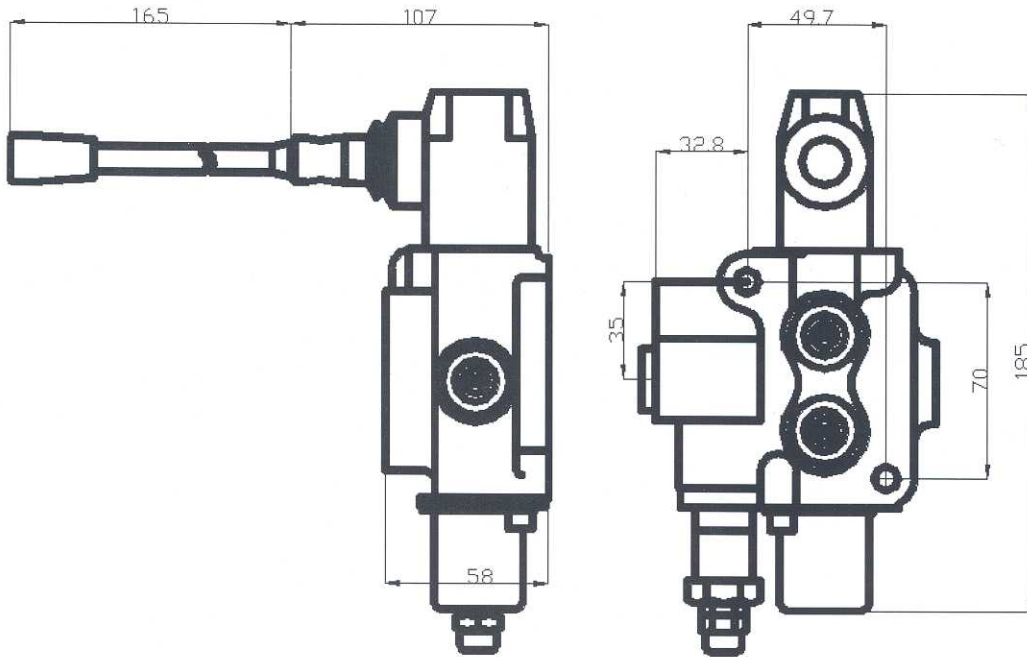
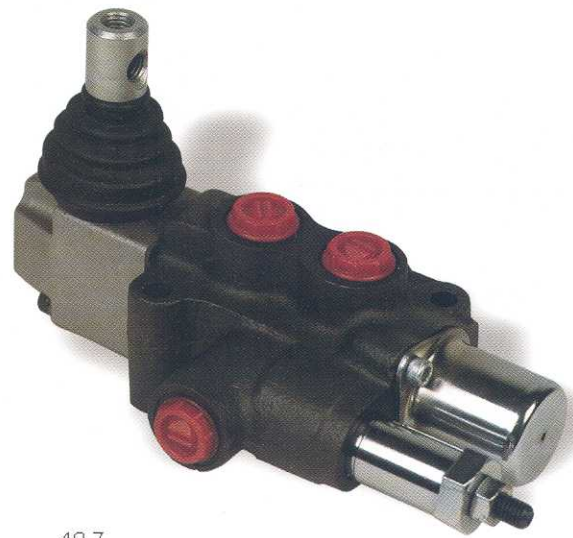
HYDRAULIC



*Monoblock &
Sectional Hydraulic
Valves*

KVM 05

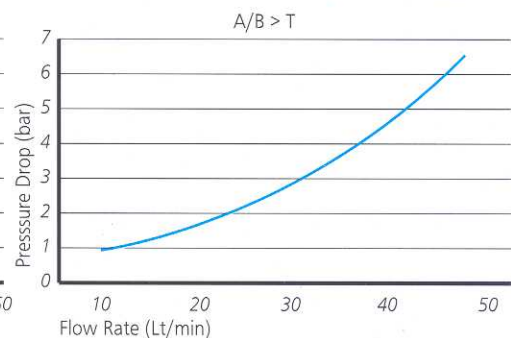
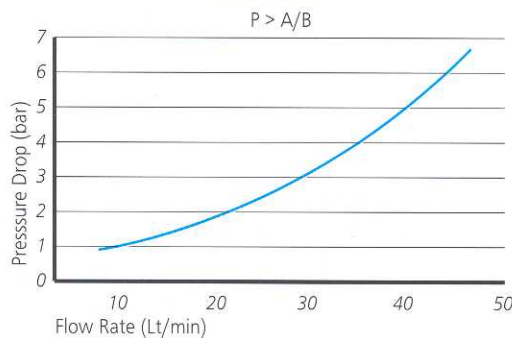
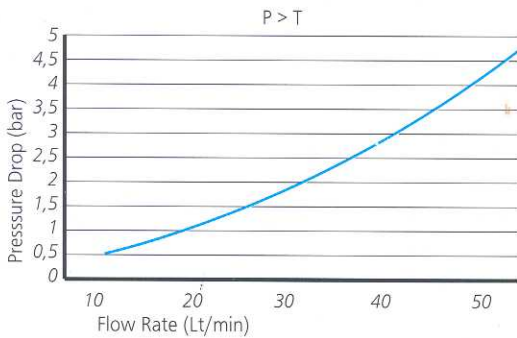
KVM 05 is a single spool monoblock valve. Produced at 3/8" BSP and for a maximum working pressure of 250 Bar and 35 Lt/min of flow. Spools are hard chrome plated.



Technical Characteristics:

Sections	1
Nominal Flow	35 Lt/min
Max Operating Pressure	250 Bar
Max Back Pressure	30 Bar
Recommended Oil Viscosity	5,4 - 11,4 CST (100°C)
Recommended Oil Filtering	Max 30 micron
Parallel - Series Circuit	
Adjustable Direct Operated Relief Valve	
Load Hold Check Valve	
Single - Double Action	

Type	L(mm)	K(mm)	W(kg)
KVM051	50	100	2,1



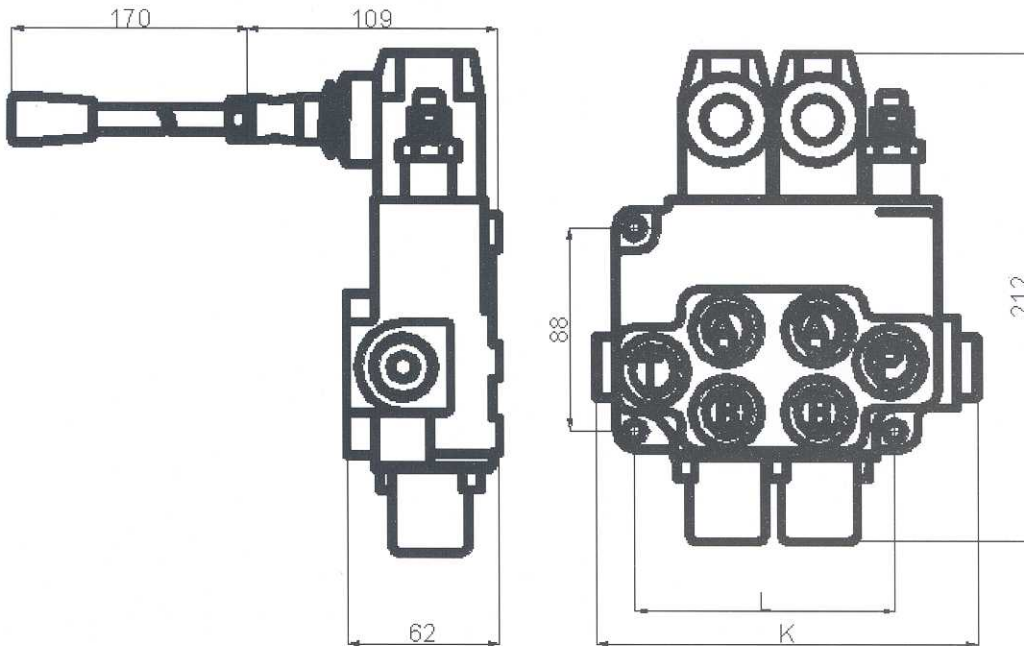
Standard Threads

P	A/B	T
3/8"	3/8"	3/8"



KVM 10 Series

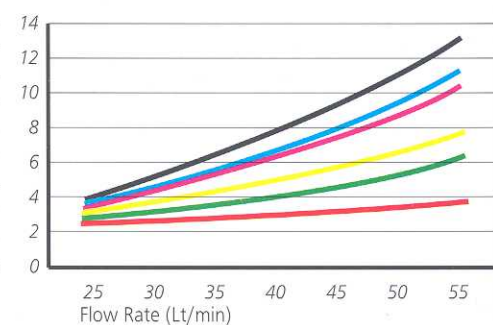
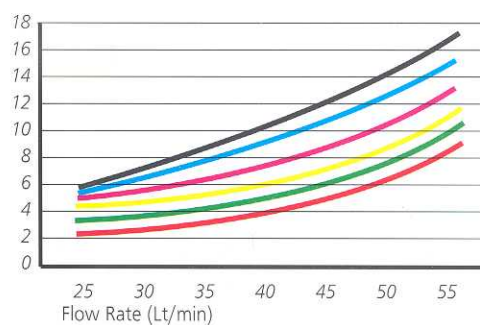
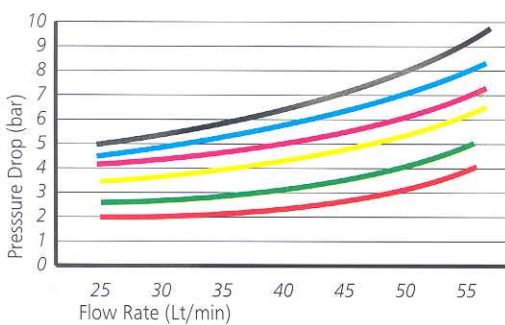
KVM 10 series monoblock type hydraulic valves are being produced from 1 to 6 spools at 3/8" and 1/2" BSP. All spools are hard chrome plated.



Technical Characteristics:

Sections	1 to 6
Nominal Flow	40 lt/min and 45 lt/min
Max Operating Pressure	350 Bar
Max Back Pressure	30 Bar
Recommended Oil Viscosity	5,4 - 11,4 CST (100°C)
Recommended Oil Filtering	Max 30 micron
Parallel Circuit, Series Circuit	
Adjustable Direct Operated Relief Valve	
Load Hold Check Valve	
Single - Double Action	

Type	L(mm)	K(mm)	W(kg)
KV101	73	126	4,2
KV102	114	166	6,4
KV103	154	206	8,5
KV104	194	246	10,7
KV105	234	286	12,9
KV106	274	326	15



Standard Threads

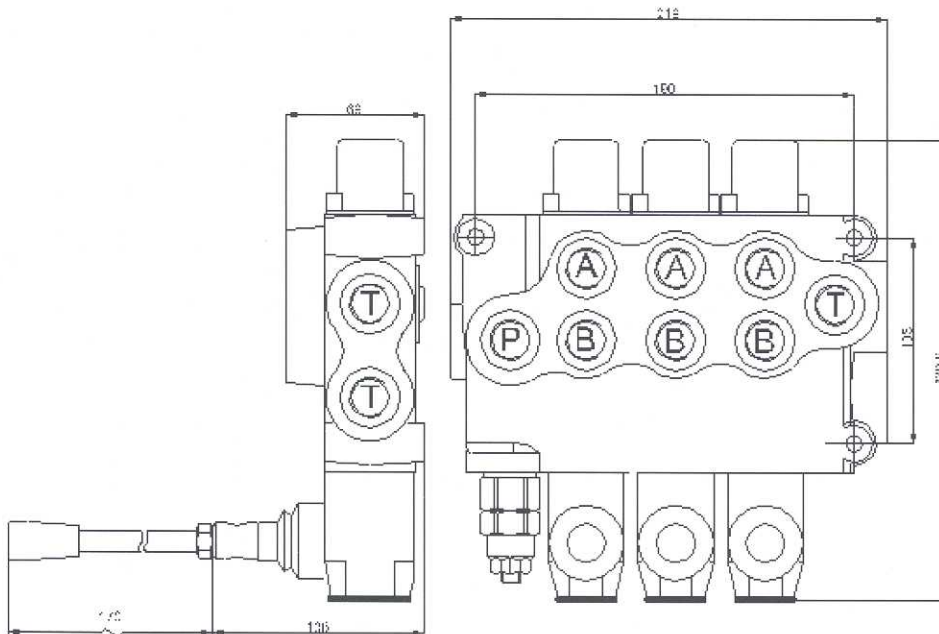
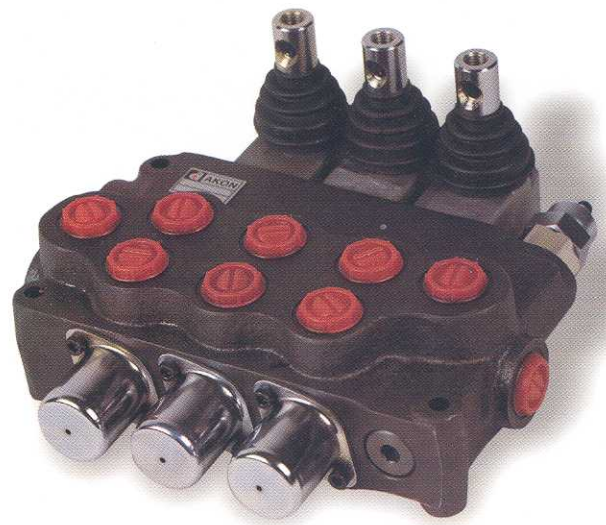
	P	A/B	T
A	3/8"	3/8"	3/8"
B	1/2"	1/2"	1/2"

- 1 Section
- 2 Section
- 3 Section
- 4 Section
- 5 Section
- 6 Section



KVM 15 Series

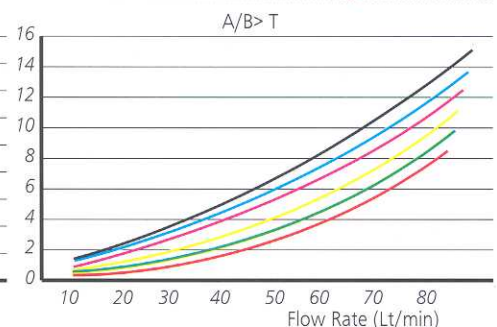
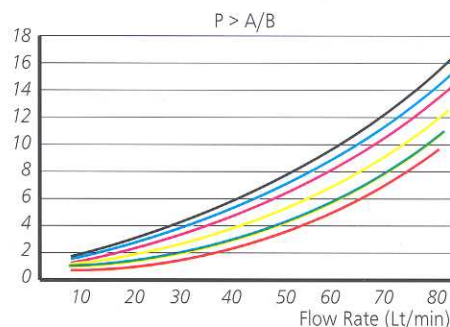
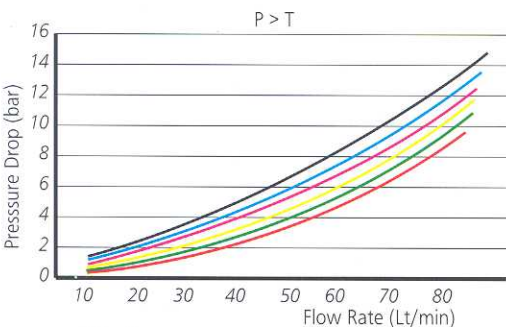
KVM 15 series monoblock type hydraulic valves have a flow rate of 70 lt/min and are being manufactured from 1 to 6 spools. All spools are hard chrome plated.



Technical Characteristics:

Sections	1 to 6
Nominal Flow	70 lt/min
Max Operating Pressure	350 Bar
Max Back Pressure	30 Bar
Recommended Oil Viscosity	5,4 - 11,4 CST (100°C)
Recommended Oil Filtering	Max 30 micron
Parallel Circuit, Series Circuit	
Adjustable Direct Operated Relief Valve	
Load Hold Check Valve	
Single - Double Action	

Type	L(mm)	K(mm)	W(kg)
KV151	100	129	5,7
KV152	145	174	8,2
KV153	190	219	11
KV154	235	264	13,8
KV155	280	309	16,6
KV156	325	354	19,4



- 1 Section
- 2 Section
- 3 Section
- 4 Section
- 5 Section
- 6 Section

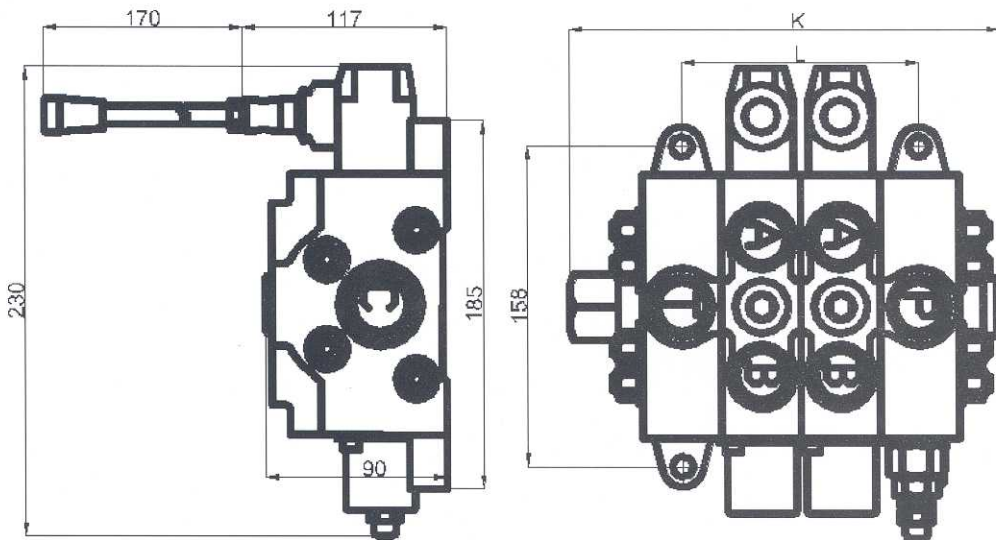
Standard Threads

	P	A/B	T
A	3/4"	1/2"	3/4"
B	1/2"	1/2"	1/2"



KV 10 Series

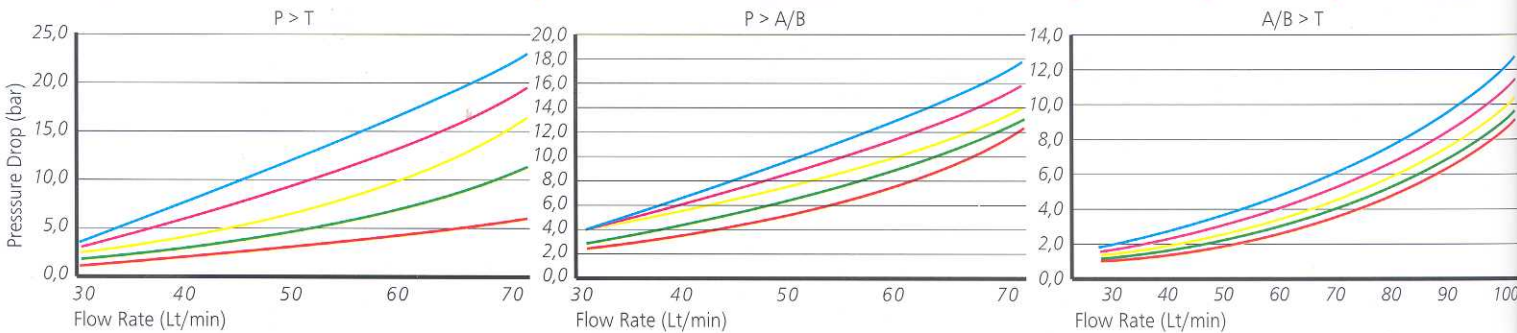
KV 10 series sectional hydraulic valves are available from 1 to 10 sections and produced with a flow rate of 67 lt/min capacity and 1/2" BSP. All sections include load hold check valve. Spools are hard chrome plated.



Technical Characteristics:

Sections	1 to 10
Nominal Flow	67 lt/min
Max Operating Pressure	315 Bar
Max Back Pressure	30 Bar
Recommended Oil Viscosity	5,4 - 11,4 CST (100°C)
Recommended Oil Filtering	Max 30 micron
Parallel Circuit, Series Circuit	
Adjustable Direct Operated Relief Valve	
Load Hold Check Valve for Each Section	
Single - Double Action	

Type	L(mm)	K(mm)	W(kg)
KV101	73	166	8,7
KV102	113	206	12,2
KV103	153	246	16,5
KV104	193	286	20,8
KV105	233	326	25,1
KV106	273	366	29,5
KV107	313	406	33,8
KV108	353	446	38,1
KV109	393	486	42,4



Standard Threads

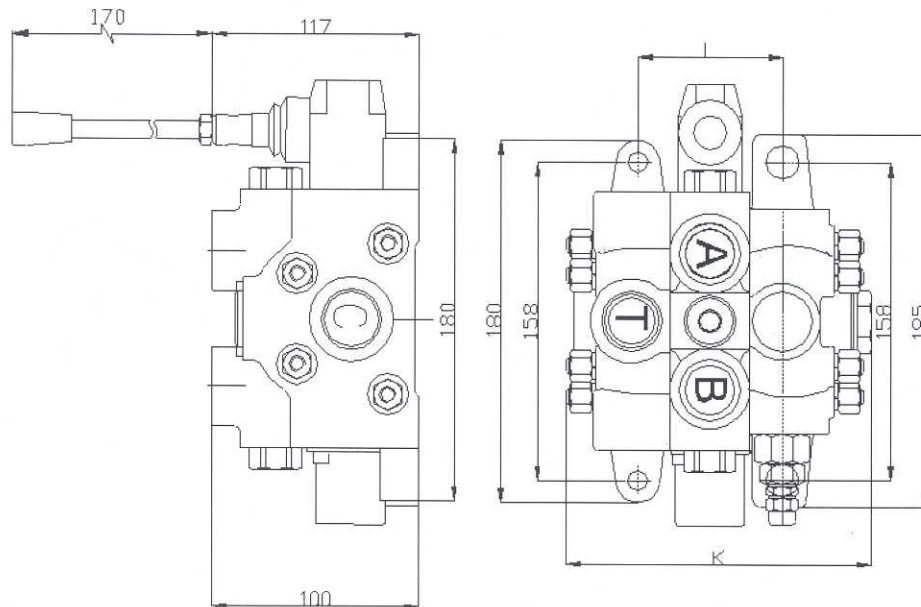
P	A/B	T
1/2"	1/2"	1/2"

- 1 Section
- 2 Section
- 3 Section
- 4 Section
- 5 Section



KV 15 Series

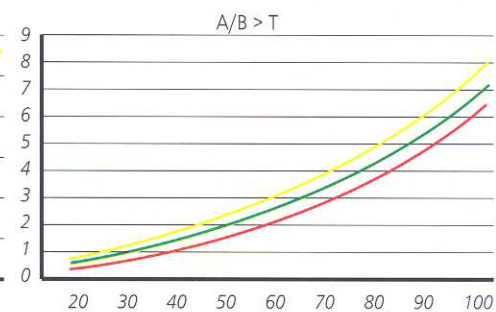
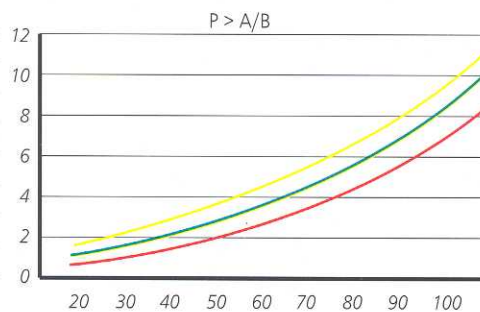
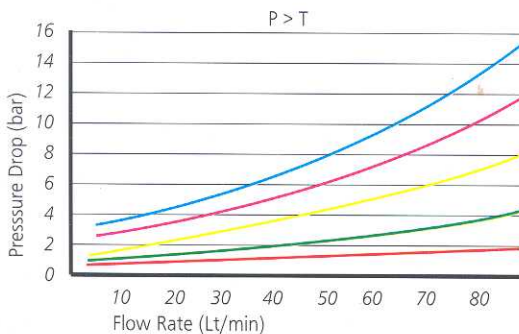
KV 15 series sectional valves are available from 1 to 9 sections. The hardened casting body enables to have a maximum working pressure at 350 BAR. Antishock and anticavitation valves are applicable. All sections include load hold check valve. Spools are hard chrome plated.



Technical Characteristics:

Sections	1 to 9
Nominal Flow	85 lt/min
Max Operating Pressure	350 Bar
Max Back Pressure	30 Bar
Recommended Oil Viscosity	5,4 - 11,4 CST (100°C)
Recommended Oil Filtering	Max 30 micron
Parallel Circuit, Series Circuit	
Adjustable Direct Operated Relief Valve	
Load Hold Check Valve for Each Section	
Single - Double Action	
Antishock - Anticavitation	

Type	L(mm)	K(mm)	W(kg)
KV151	73	166	8,2
KV152	113	206	12,8
KV153	153	246	17,4
KV154	193	286	22,1
KV155	233	326	26,6
KV156	273	366	21,3
KV157	313	406	38,9
KV158	353	446	40,5
KV159	393	486	45,1



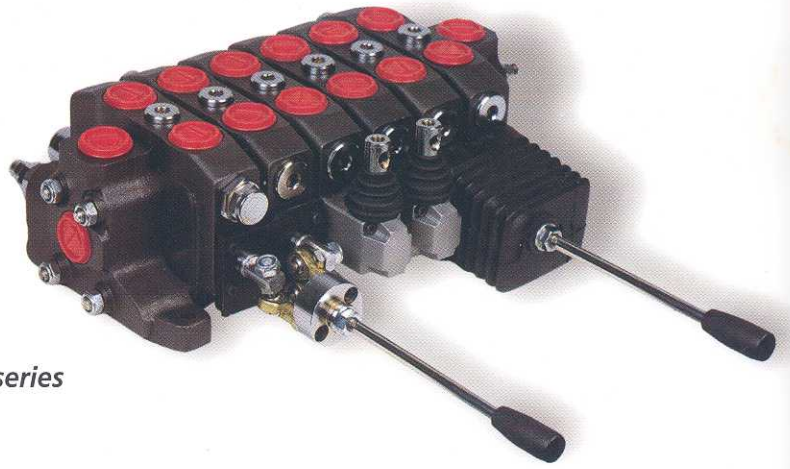
- 1 Section
- 2 Section
- 3 Section
- 4 Section
- 5 Section

Standard Threads

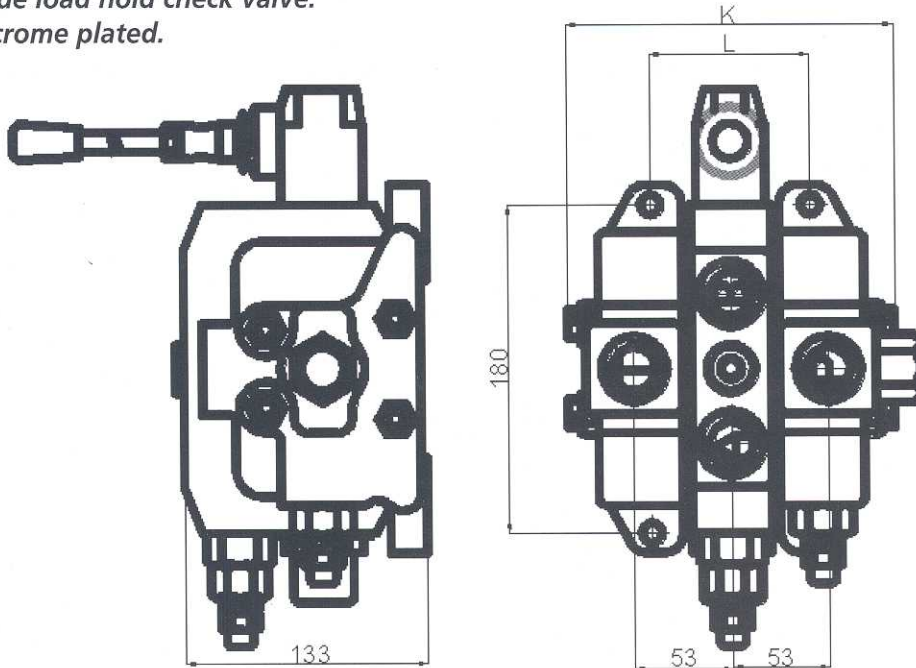
	P	A/B	T
A	1/2"	1/2"	1/2"
B	3/4"	3/4"	3/4"



KV 20 Series



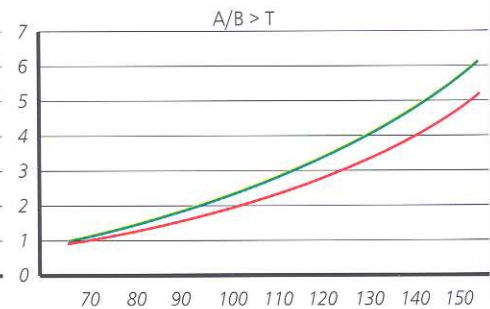
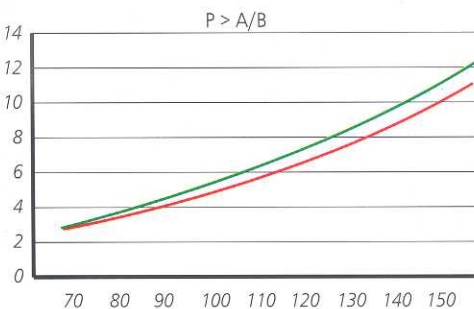
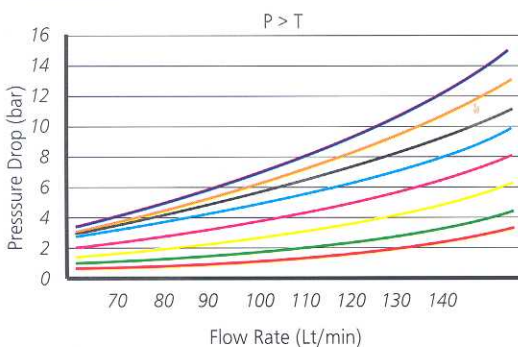
KV 20 series valves are available from 1 to 9 sections. Manufactured for a flow rate of 150 lt/min and a maximum working pressure of 315 BAR; our KV 20 series valves are designed for heavy duty tasks. Antishock and anticavitation valves are applicable. All sections include load hold check valve. Spools are hard chrome plated.



Technical Characteristics:

Sections	1 to 9
Nominal Flow	150 lt/min
Max Operating Pressure	315 Bar
Max Back Pressure	30 Bar
Recommended Oil Viscosity	5,4 - 11,4 CST (100°C)
Recommended Oil Filtering	Max 30 micron
Parallel Circuit, Series Circuit	
Adjustable Direct Operated Relief Valve	
Load Hold Check Valve, For Each Section	
Single - Double Action	

Type	L(mm)	K(mm)	W(kg)
KV201	88	180	14,8
KV202	137	229	22,5
KV203	186	278	30,2
KV204	235	327	37,9
KV205	284	376	45,6
KV206	333	425	53,3
KV207	382	474	58
KV208	431	523	65,7
KV209	480	572	73,4



Standard Threads

P	A/B	T
3/4"	3/4"	3/4"

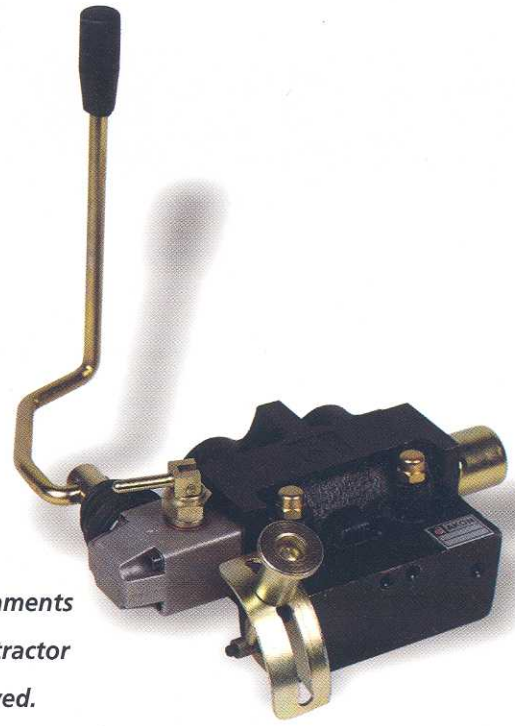
- 1 Section
- 2 Section
- 3 Section
- 4 Section
- 5 Section
- 6 Section
- 7 Section
- 8 Section



AMF 01

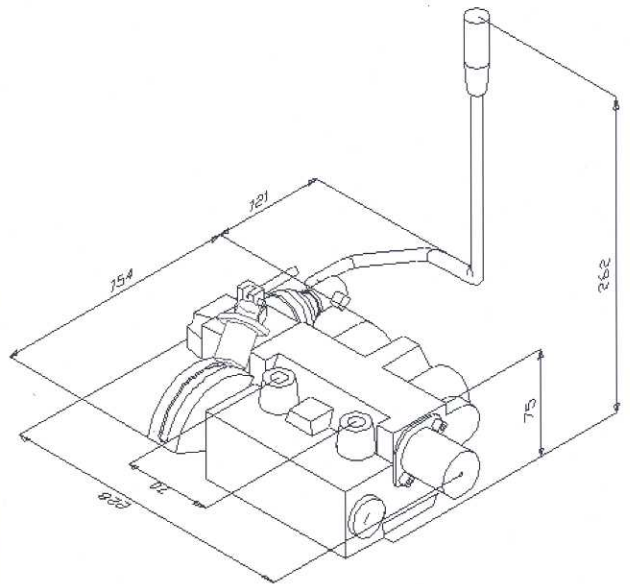
AMF 01 valve is a specially designed auxiliary hydraulic valve for Massey Ferguson tractors for the operation of all kinds of hydraulic attachments on the tractor. Simple to attach and use: Valve can easily be attached to the tractor by two bolts where the cap hydraulic lift cover on the tractor has been removed.

The three point linkage system control lever enables the user to lock and to control the movement speed of the linkage system sensitively while the handle position lock makes the control lever locked at the desired position and remains stable during the operation.

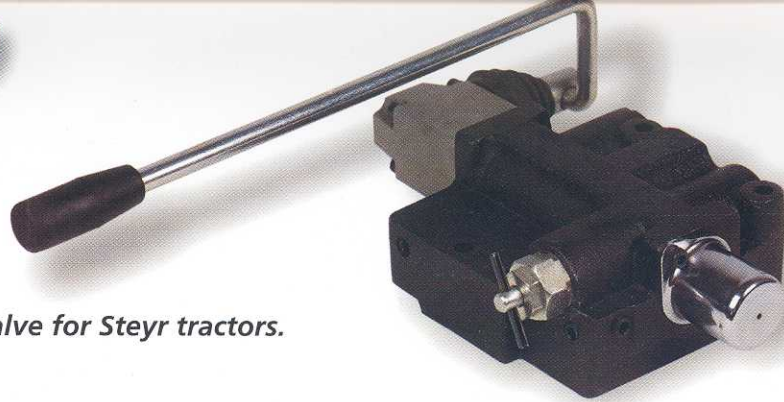


Technical Characteristics:

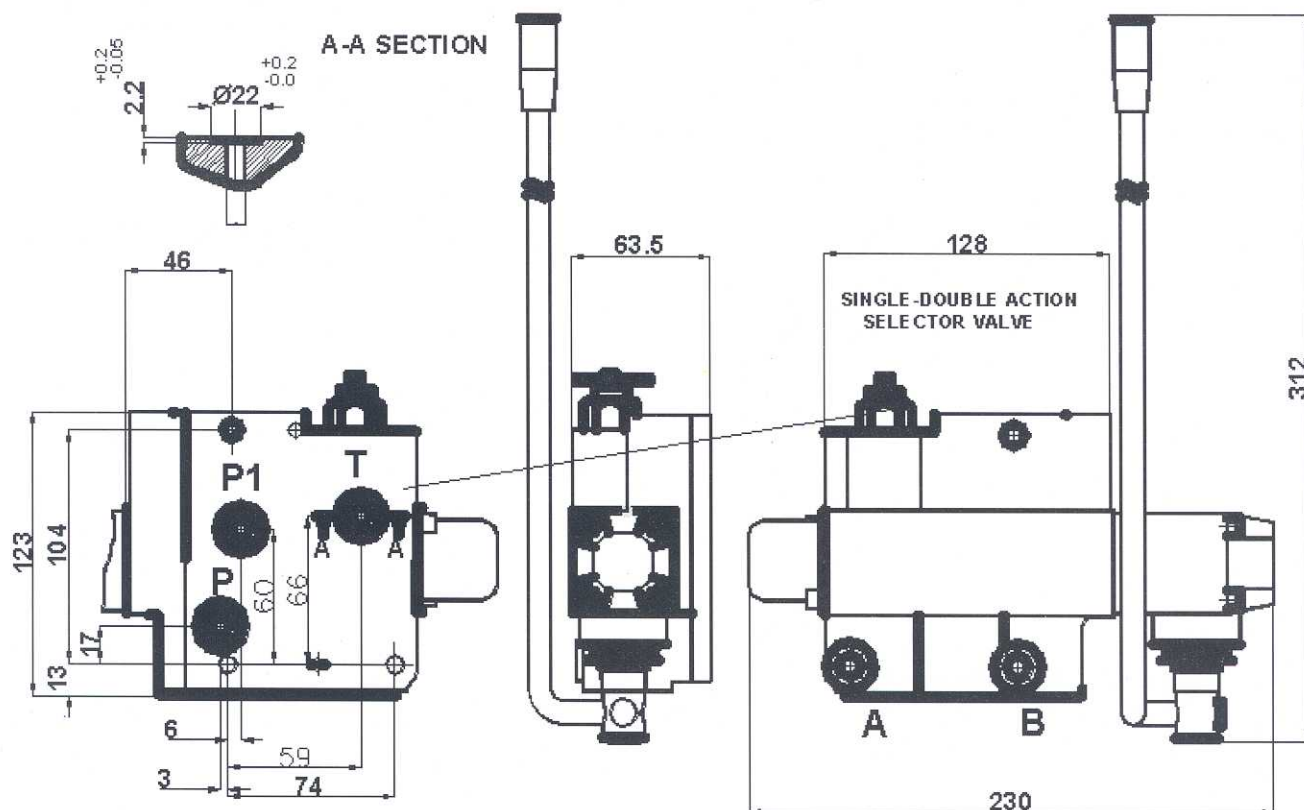
Nominal Flow	50 lt/min
Max Operating Pressure	315 Bar
Max Back Pressure	30 Bar
Recommended Oil Viscosity	5,4 - 11,4 CST (100°C)
Recommended Oil Filtering	Max 30 micron
Weight	5,9
Optionals :	
Adjustable Direct Operated Relief Valve	
Single - Double Action	



AST 08



AST 08 valve is a specially designed auxiliary valve for Steyr tractors. The switch lever attached to the valve, enables it to control the single-double action hydraulic attachments on the tractor.



Technical Characteristics:

Nominal Flow	45 lt/min
Max Operating Pressure	315 Bar
Max Back Pressure	30 Bar
Recommended Oil Viscosity	5,4 - 11,4 CST (100°C)
Recommended Oil Filtering	Max 30 micron
Parallel Circuit, Series Circuit	
Load Hold Check Valve	
Adjustable Direct Operated Relief Valve	
Single - Double Action	

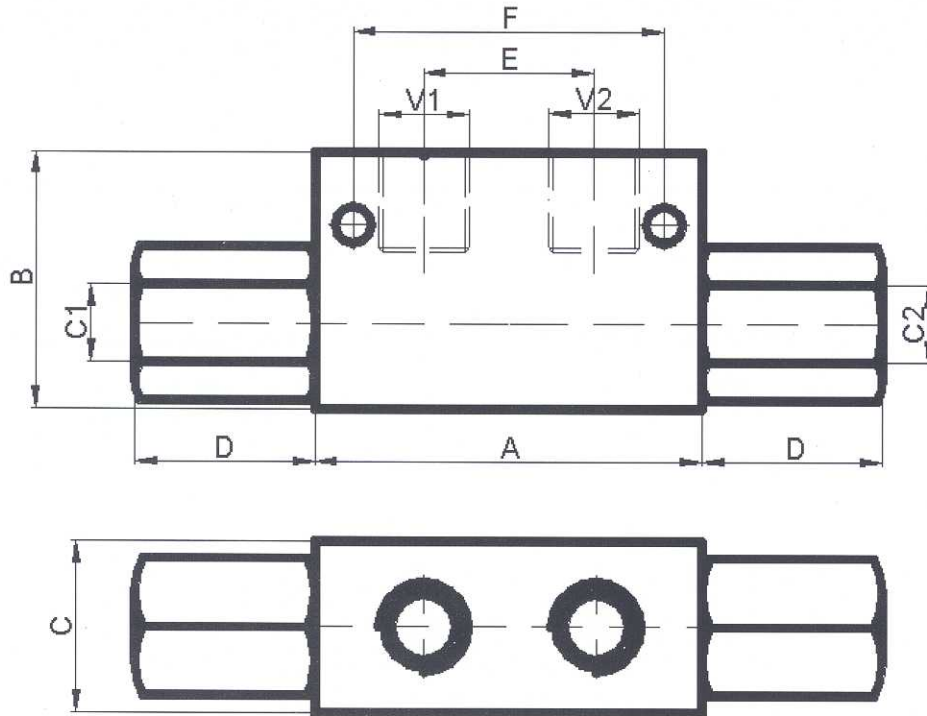
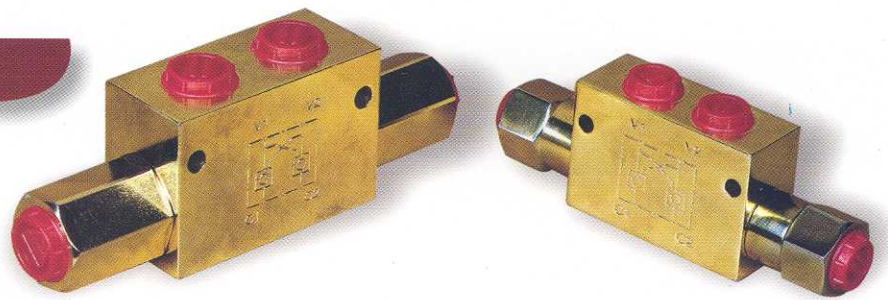
Standard Threads

P	P	T	A	B
0,88 MM	0,88 MM	0,88 MM	R 3/8"	R 3/8"
0,88 MM	0,88 MM	0,88 MM	R 1/2"	R 1/2"

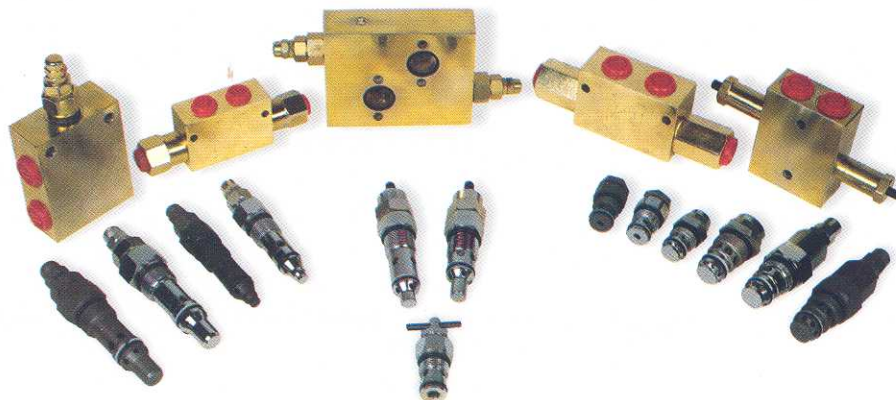


Components

Pilot Control Check Valve



Type	Max Flow (l-min)	Threads	Dimension						Pilot Ratio
			A	A	A	A	A	A	
APC38	35	3/8" GAS	80	50	30	18	35	68	4/1 - 3/1
APC12	50	1/2" GAS	90.5	60	35	42	40	73	4/1 - 3/1
APC34	100	3/4" - 16UNF	130	80	60	38.5	61	110	4/1 - 3/1



Nomenclature

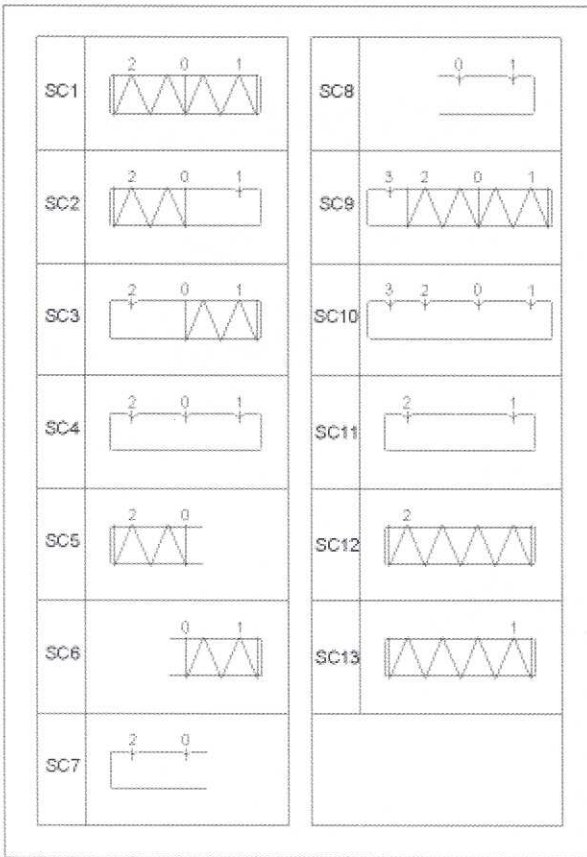
KVM	10B	1	SC1	ST1	V1	H	CHMD	20
1	2	3	4	5	6	7	8	8

1	KVM Monoblock directional control valve	
	KV Sectional directional control valve	
2	05 A (35 l/min) Only 1 lever 3/8"(A) BSP	KVM
	10 A/B (40 l/min) From 1 to 6 levers 3/8 "(A) or 1/2"(B) BSP	
	15 A (70 l/min) From 1 to 6 levers 1/2"(A) BSP	
	10 A (67 l/min) From 1 to 9 levers 1/2"(A) BSP	KV
	15 A/B (85 l/min) From 1 to 9 levers 1/2"(A) or 3/4"(B) BSP	
	20 A/B (150 l/min) From 1 to 9 lever 3/4"(A) or 1"(B) BSP	
3	Number of spools (lever)	KVM & KV
4	Kind of spool control	KVM & KV
5	Spool type	KVM & KV
6	Relief valves or directional control valves in A-B (Omit if not included)	KV KV
7	Carry over (Omit if not included)	KVM & KV
8	(Omit if not included)	KVM & KV
	JO Joystick	
	CN Pneumatic control	
	CH Hydraulic control	
	MD Remote control KVM y KV	
9	20 Design	KVM & KV

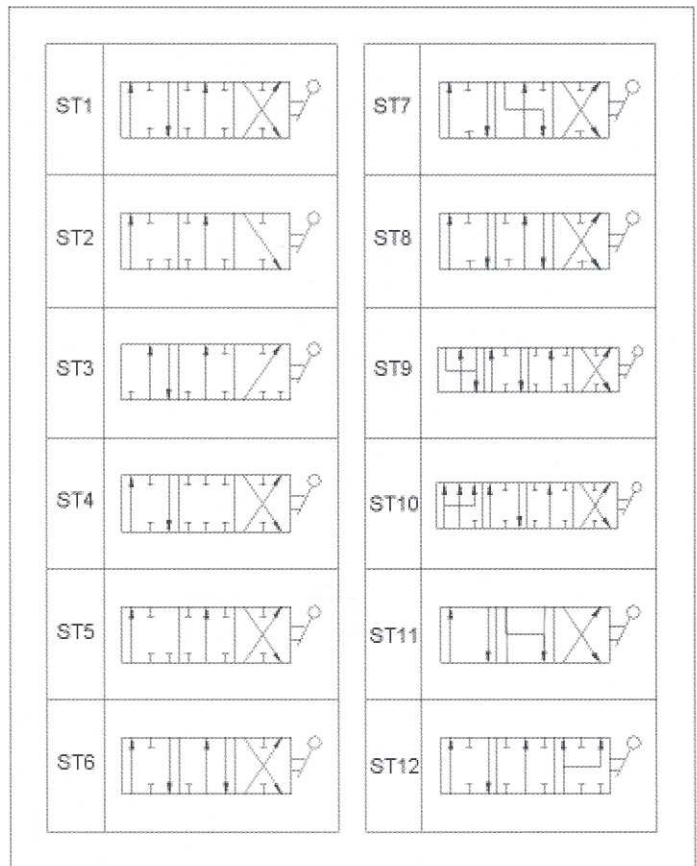


Ordering Options

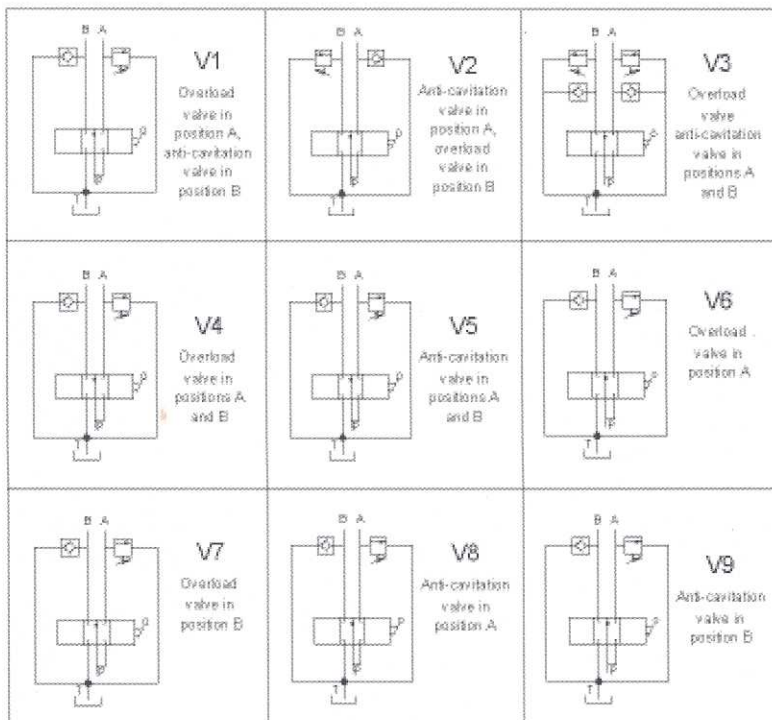
Spool Control



Spool Type



Anti Cavitation & Overload Valves



These applications are available for KV15 & KV20 series

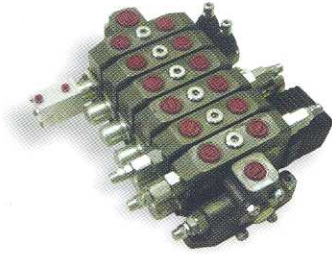


Accessories

Following accessories are applicable for our monoblock and sectional valves.

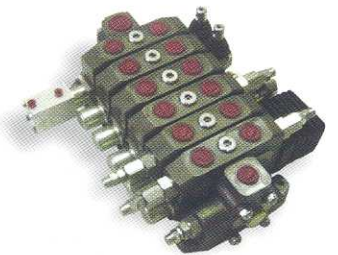
Hydraulic

Code:CH



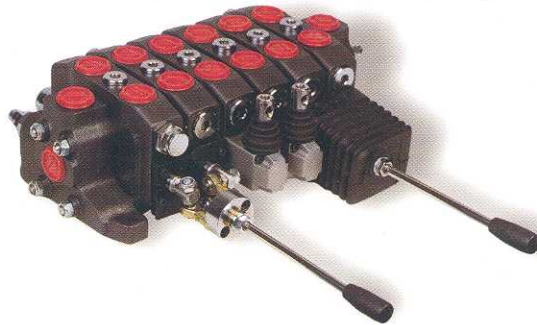
Pneumatic

Code:CN



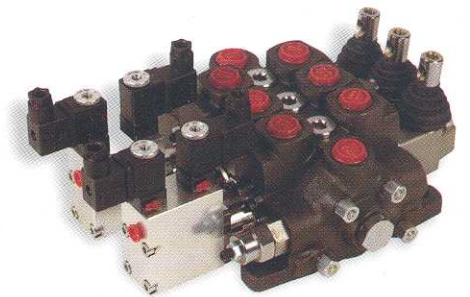
Joystick

Code:JO



Remote Control

Code:MD



Solonoid Control





Akon Hydraulic Valve Co.

A.O.S.B., 10000 Sokak No: 22

Cigli - Izmir - TURKEY

Tel: +90.232.376 80 27/28

Fax: +90.232.376 80 78

E-mail: info@akon.com.tr

www.akon.com.tr