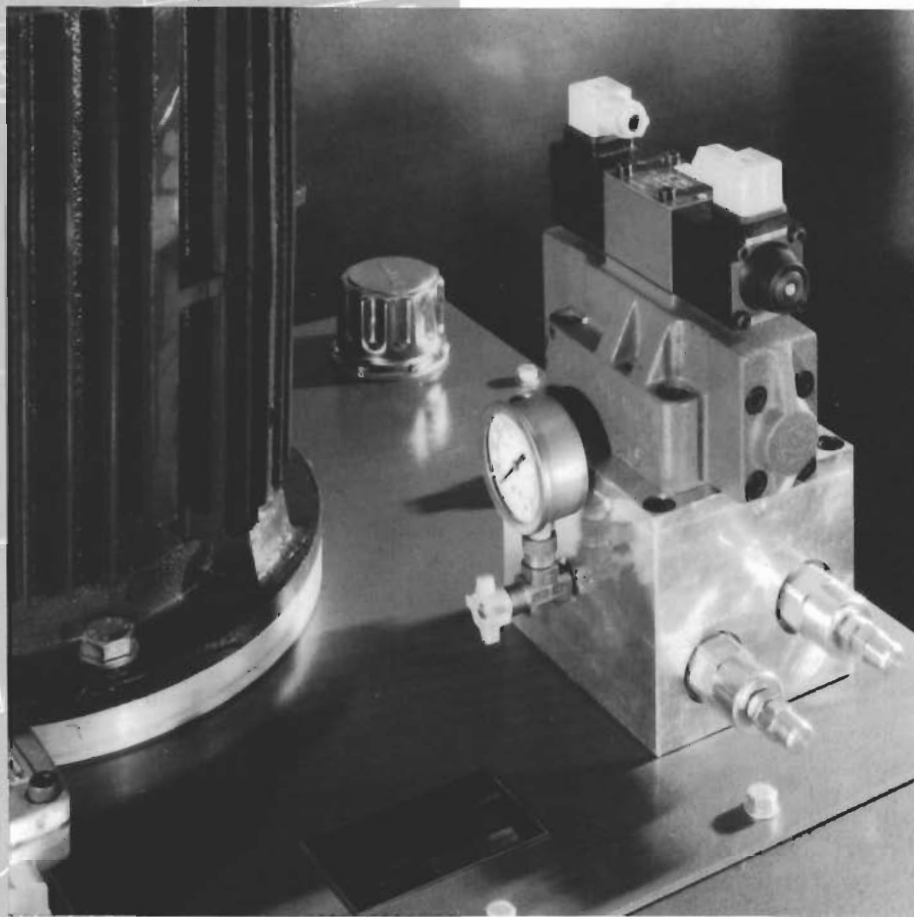


UHL

Universal Power Pack PPL



A range of well designed power packs

built to a compact modular concept.

Flows to 200 lpm.

Pressures to 205 bar.

Competitive prices.

All components in stock.

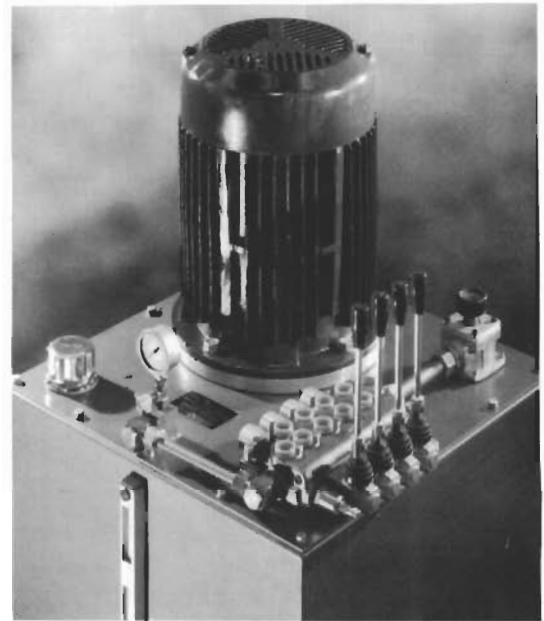
Delivery normally 7 days.

All models supplied complete with:

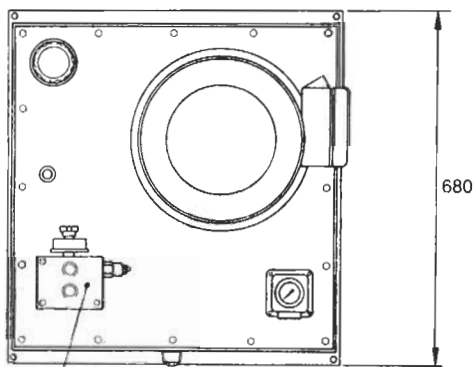
- Electric Motor – Metric Frame TEFC
- Robust Gear Pump
- Pressure Relief Valve
- Pressure Gauge and Isolator Valve
- Suction Filter
- Large Capacity Filler/Air Breather Cap
- Fluid Level Gauge

Options include:

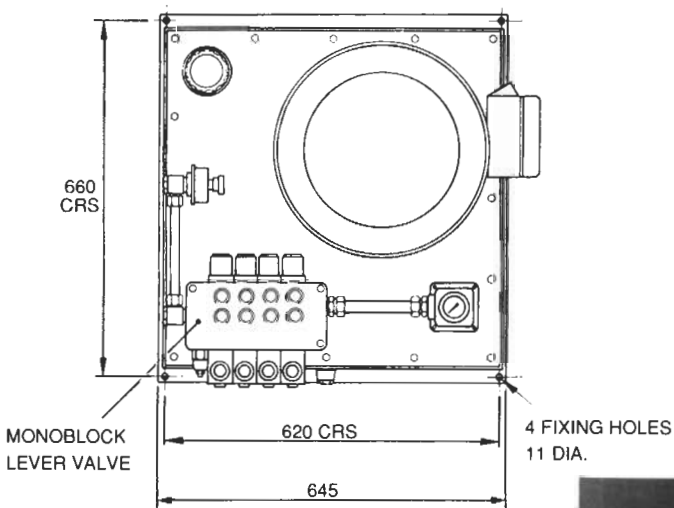
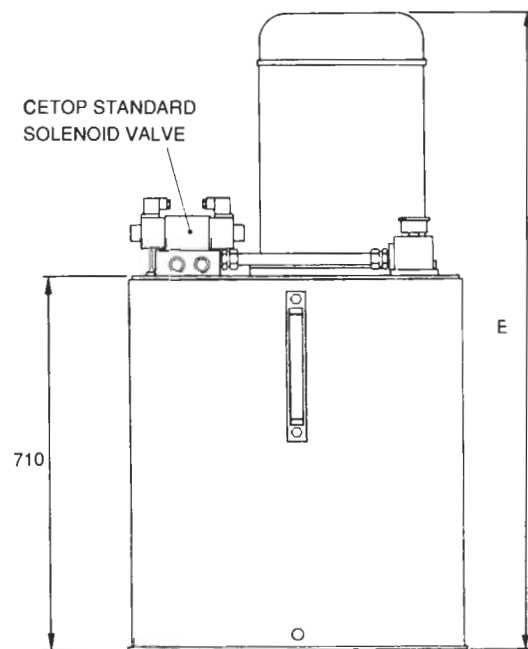
- Return Line Filter
- Directional Control Valve – Manual – Solenoid – Pilot Operated
- Stackable Circuit Valves (CETOP 5 & 7)
- Additional Directional Controls and Manifolds
- Pressure Filter
- Level/Temperature Switch



250 LITRE RESERVOIR

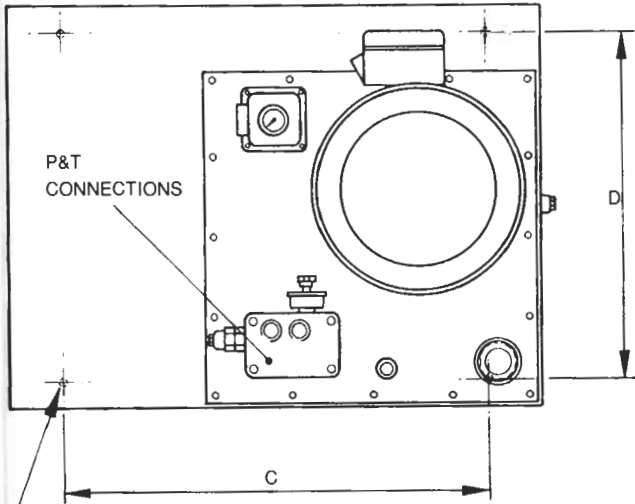


P&T CONNECTIONS

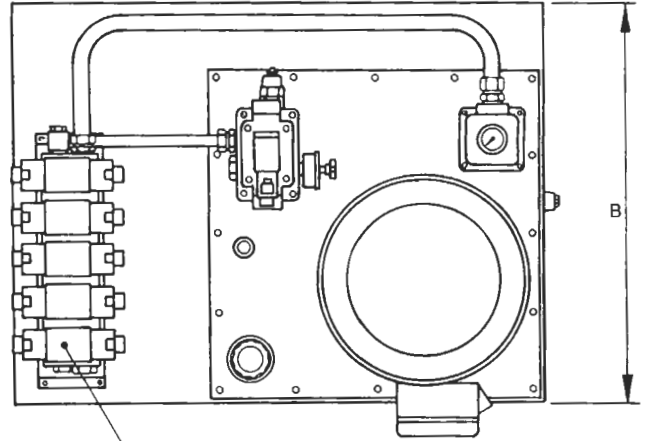


power pack PPL

400-600 LITRE RESERVOIR – INSTALLATION DETAILS



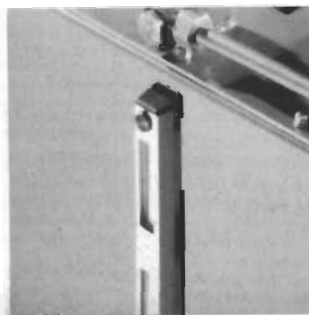
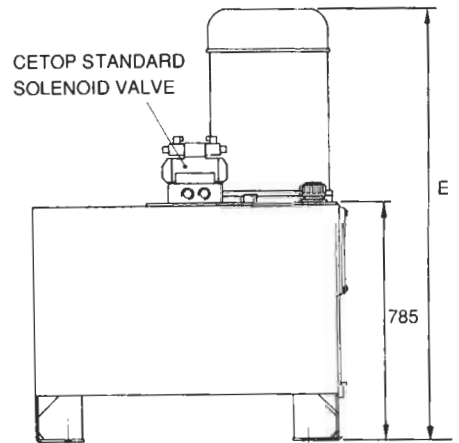
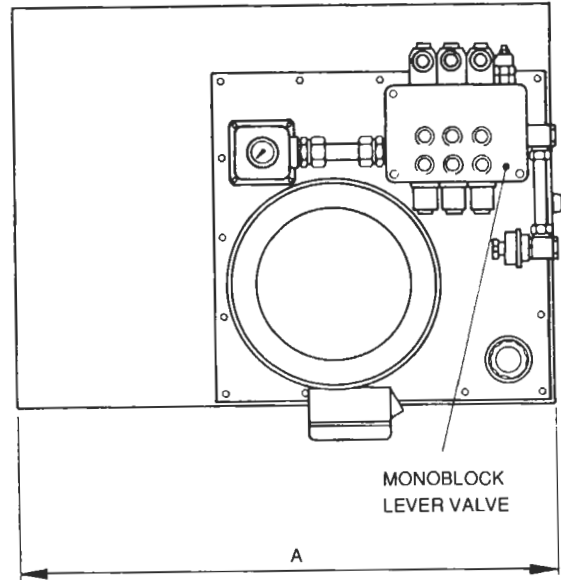
4 FIXING HOLES 14 DIA.



MULTI-STATION
CETOP STANDARD
MANIFOLD

Dim	Reservoir Capacity	
	400 Litres	600 Litres
A	1010	1260
B	750	850
C	800	1050
D	650	750

Motor Power	E
11kW	1285
15kW	1335
18.5kW	1375
22kW	1395
30kW	1445
37kW	1505



power pack P P L

Flow LPM	Max Press BAR	Motor Size kW	Size Ref.
37	145	11	01
37	200	15	02
48	110	11	03
48	150	15	04
48	190	18.5	05
54	100	11	06
54	135	15	07
54	170	18.5	08
54	200	22	09
62	90	11	10
62	120	15	11
62	150	18.5	12
62	175	22	13
62	240	30	14
73	75	11	15
73	105	15	16
73	125	18.5	17
73	150	22	18
73	200	30	19
87	63	11	20
87	85	15	21
87	105	18.5	22
87	125	22	23
87	175	30	24
98	190	37*	25
105	52	11	26
105	70	15	27
105	90	18.5	28
105	105	22	29
105	145	30	30
110	170	37*	31
115	80	18.5	32
115	95	22	33
115	130	30	34
125	150	37*	35
130	70	18.5	36
130	85	22	37
130	115	30	38
155	70	22	39
155	100	30	40
190	57	22	41
190	78	30	42
37	245	18.5	43
48	225	22	44
54	240	30	45

* 3000 RPM.

P P L 06 - X - X - PT5 - 250

SIZE REFERENCE

See Table

RETURN LINE FILTER

Size Ref: 01-19

F20 — Filter with visual indicator

Size Ref: 20-40

F40 — Filter with visual indicator

The above filters are necessary with manual valve

X — No return line filter

DIRECTIONAL CONTROL VALVE

Size Ref: 01-19

5S — Single Solenoid

5D — Double Solenoid

D11/1 — One Bank Manual

D11/2 — Two Bank Manual

D11/3 — Three Bank Manual

D11/4 — Four Bank Manual

Size Ref: 20-40

7S — Single Solenoid

7D — Double solenoid

D18/1 — One Bank Manual

D18/2 — Two Bank Manual

D18/3 — Three Bank Manual

X — Not Required

RELIEF/PORTING BLOCK

Size Ref: 01-19

PT5 — P & T Connection

C5 — CETOP 5 Mounting Face

Size Ref: 20-40

PT7 — P & T Connection

C7 — CETOP 7 Mounting Face

X — No Porting Block (Manual Valve)

RESERVOIR

250 Litre

400 Litre

600 Litre

