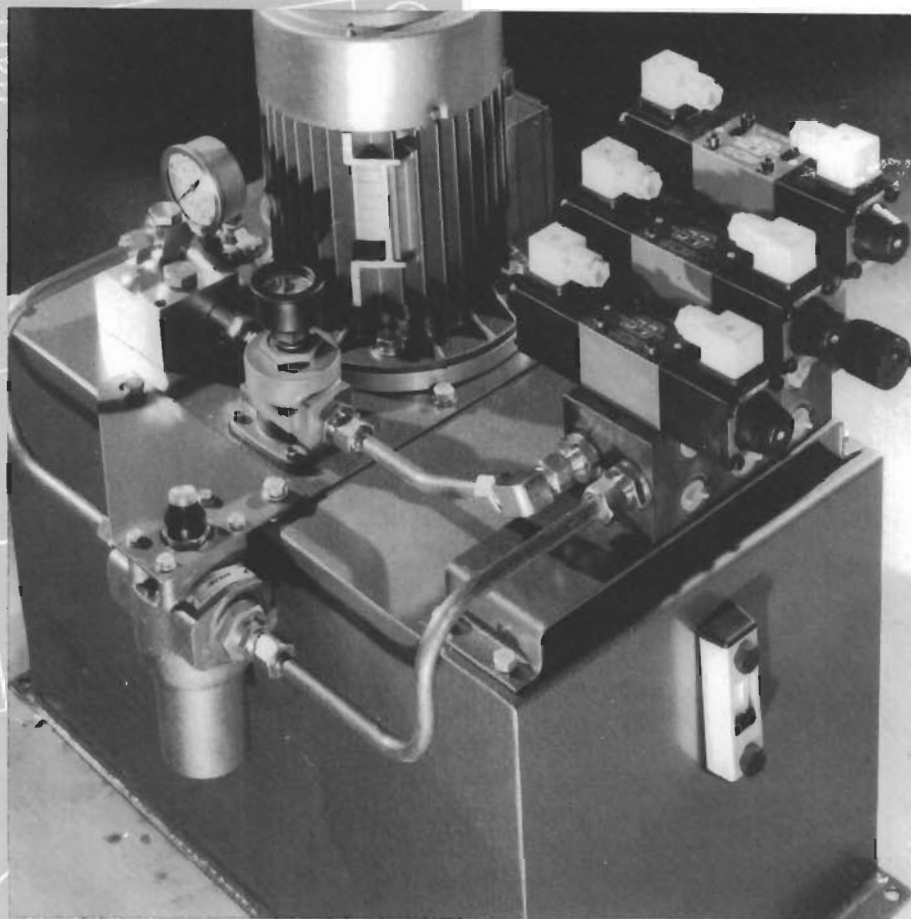


**UHL**

# Universal Power Pack PPS



A range of well designed power packs

built to a compact modular concept.

Flows to 27 lpm.

Pressures to 240 bar.

Competitive prices.

All components in stock.

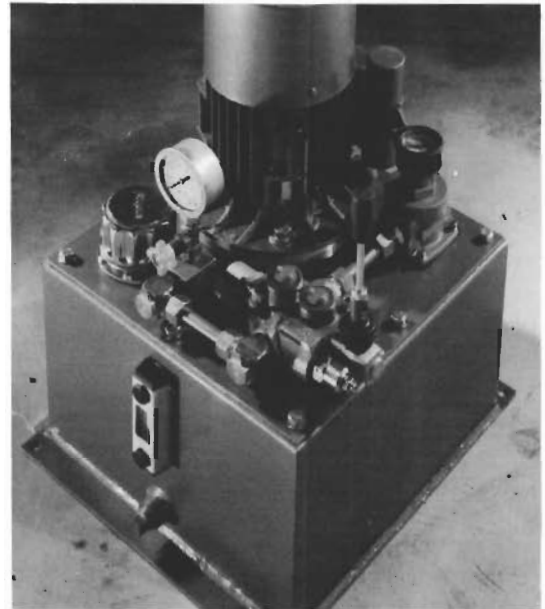
Delivery normally 48 hours.

**All models supplied complete with:**

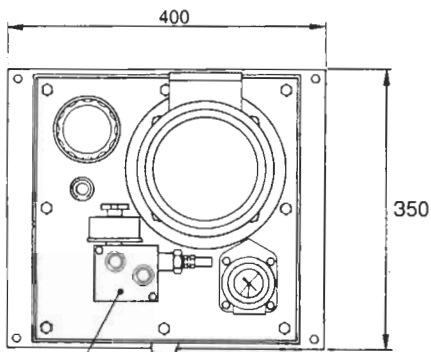
- Electric Motor – Metric Frame TEFC
- Robust Gear Pump
- Pressure Relief Valve
- Pressure Gauge and Isolator Valve
- Suction Filter
- Large Capacity Filler/Air Breather Cap
- Fluid Level Gauge

**Options include:**

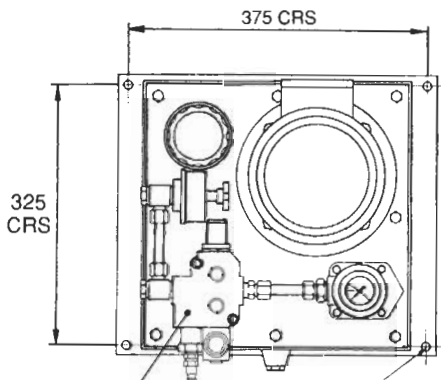
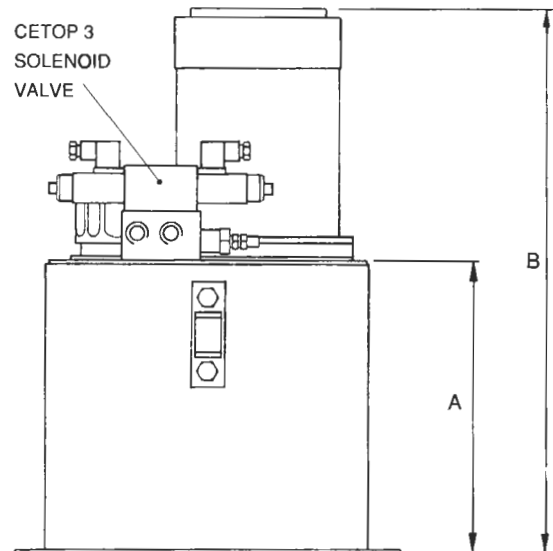
- Return Line Filter
- Directional Control Valve – Manual – Solenoid – Pilot Operated
- Stackable Circuit Valves (CETOP 3)
- Additional Directional Controls and Manifolds
- Pressure Filter
- Level/Temperature Switch



**15-45 LITRE RESERVOIR**



P&T CONNECTIONS

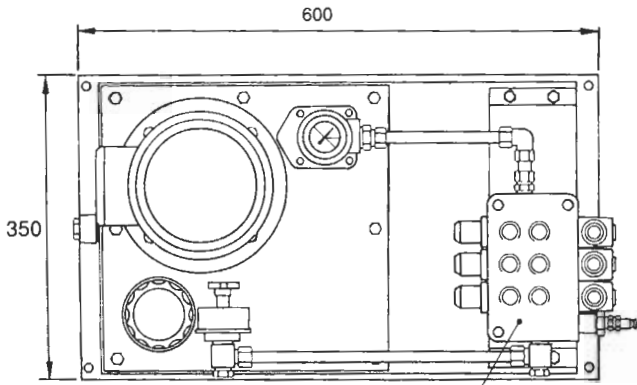


MONOBLOCK LEVER VALVE 4 FIXING HOLES 11 DIA.

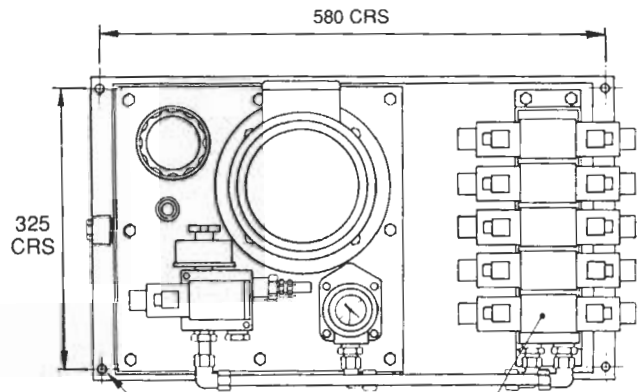


power pack PPS

**50 LITRE RESERVOIR**



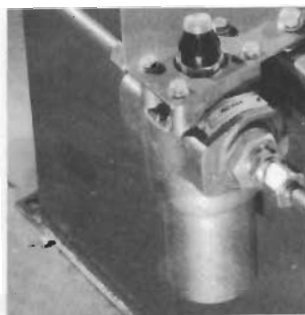
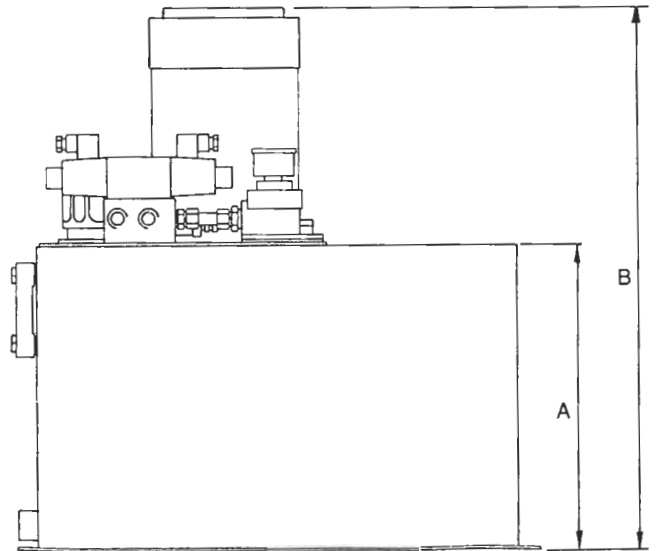
MONOBLOCK LEVER VALVE



4 FIXING HOLES  
11 DIA.

MULTI STATION  
CETOP STANDARD  
MANIFOLD

Reservoir Capacity	DIM	Motor Power			
		0.37kW	0.55 0.75 kW	1.1kW	1.5 2.2 kW
15 Litres	A	220	220	220	220
	B	425	455	470	490
30 Litres	A	350	350	350	350
	B	555	585	600	620
45 Litres	A	480	480	480	480
	B	685	715	730	750
50 Litres	A	350	350	350	350
	B	555	585	600	620



power pack PPS

Flow LPM	Max Press BAR	Motor Size kW	Size Ref.
1.3	120	0.37	11
1.3	185	0.55	12
1.3	260	0.75	13
2.6	62	0.37	14
2.6	92	0.55	15
2.6	130	0.75	16
2.6	190	1.1	17
2.6	260	1.5	18
4.0	60	0.55	19
4.0	85	0.75	20
4.0	125	1.1	21
4.0	170	1.5	22
5.4	65	0.75	23
5.4	95	1.1	24
5.4	130	1.5	25
5.4	190	2.2 *	26
6.5	55	0.75	27
6.5	80	1.1	28
6.5	110	1.5	29
8.5	125	2.2 *	30
8.5	62	1.1	31
8.5	85	1.5	32
10.5	50	1.1	33
10.5	68	1.5	34
10.5	100	2.2 *	35
13.5	40	1.1	36
13.5	55	1.5	37
13.5	80	2.2 *	38
17.0	62	2.2 *	39
21.5	50	2.2 *	40
27.0	40	2.2 *	41
4.0	250	2.2	42

\*3000 RMP

PPS - 26 - 3PH - F - D4 - X - 15

**SIZE REFERENCE**

See Table

**MOTOR VOLTAGE**

3PH — Three Phase 415v  
1PH — Single Phase 240v

**RETURN LINE FILTER**

F — Return Filter  
Visual Indicator  
(Necessary with D4)  
X — No return filter

**DIRECTIONAL CONTROL VALVE**

D4 — Monoblock lever Valve  
3S — Single Solenoid Valve  
3D — Double Solenoid Valve  
X — Not required

**RELIEF PORTING BLOCK**

PT — P & T Connection  
C3 — CETOP 3 Mounting Face  
X — No Porting Block (D4 Only)

**RESERVOIR**

**TYPE**

15 Litre  
30 Litre  
45 Litre  
50 Litre

